

STORAGE SOLUTIONS

www.paradisohome.com



Home & Garden
www.paradisohome.com

Paradiso n.v.
Dorp 14 - 9830 Sint-Martens-Latem - Belgium
Tel. +32 9 282 21 12 - Fax +32 9 281 15 35
info@paradisohome.com

STORAGE SOLUTIONS

Storage box for heavy duty which has a content of 5.54 Gal / 21 L.

This storage box can be combined with euro boxes with open front and with the dolly for standard euro boxes.

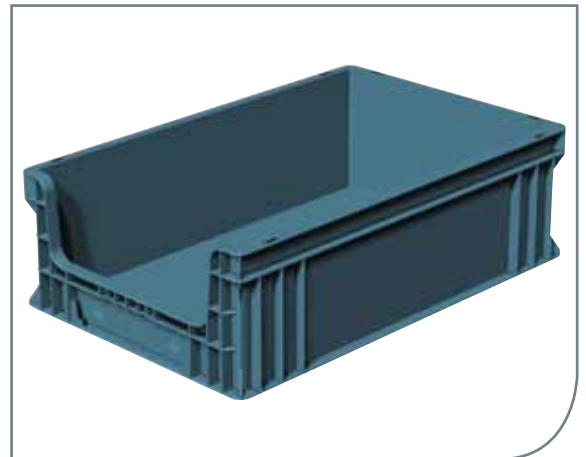
| | |
|---------------------------------|---|
| REFERENCE | G00011 |
| PRODUCT | Eurobox - 21 L |
| DIMENSIONS (L x W x H) | 60 x 40 x 12 (h) cm - 23.6 x 15.7 x 4.7 (h) " |
| WEIGHT | 1,95 kg - 4.29 lbs |
| PACKAGING | 95 pcs shrunked |
| N° PCS PALLET | 95 |
| N° PCS TRUCK | 2.470 |
| N° PCS 20 ' CTR | 855 |
| N° PCS 40 ' CTR | 1.995 |
| MOQ | 2.470 pcs |



Storage box for heavy duty with open front which has a content of 9 Gal / 34 L.

This storage box can be combined with other euro boxes and with the dolly for standard euro boxes.

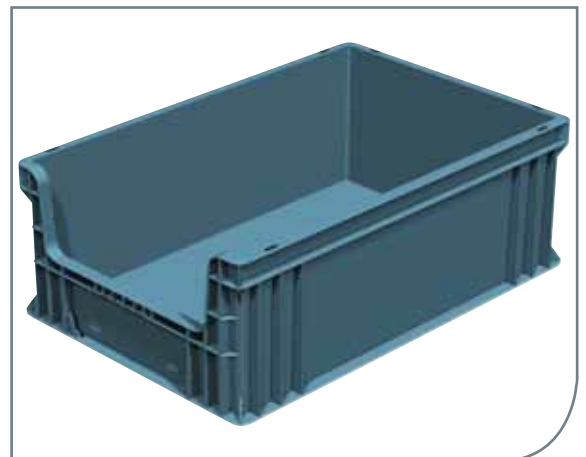
| | |
|---------------------------------|---|
| REFERENCE | G00012 |
| PRODUCT | Eurobox - 34 L |
| DIMENSIONS (L x W x H) | 60 x 40 x 18 (h) cm - 23.6 x 15.7 x 7.1 (h) " |
| WEIGHT | 2,18 kg - 4.81 lbs |
| PACKAGING | 60 pcs shrunked |
| N° PCS PALLET | 60 |
| N° PCS TRUCK | 1.560 |
| N° PCS 20 ' CTR | 540 |
| N° PCS 40 ' CTR | 1.260 |
| MOQ | 1.560 pcs |



Storage box for heavy duty with open front which has a content of 11 Gal / 42 L.

This storage box can be combined with other euro boxes and with the dolly for standard euro boxes.

| | |
|---------------------------------|---|
| REFERENCE | G00013 |
| PRODUCT | Eurobox - 42 L |
| DIMENSIONS (L x W x H) | 60 x 40 x 22 (h) cm - 23.6 x 15.7 x 8.7 (h) " |
| WEIGHT | 2,42 kg - 5.33 lbs |
| PACKAGING | 50 pcs shrunked |
| N° PCS PALLET | 50 |
| N° PCS TRUCK | 1.300 |
| N° PCS 20 ' CTR | 450 |
| N° PCS 40 ' CTR | 1.050 |
| MOQ | 1.300 pcs |



STORAGE SOLUTIONS

Dolly for standard euro boxes, with large wheels for easy handling and a load capacity of 200 kg / 440 lbs.

| | |
|-----------------------------|------------------------------|
| REFERENCE | G00014 |
| PRODUCT | Dolly for standard euroboxes |
| DIMENSIONS (L x W) | 60 x 40 cm - 23.6 x 15.7 " |
| WEIGHT | 6,28 kg - 13.84 lbs |
| PACKAGING | 60 pcs shrunked |
| N° PCS PALLET | 60 |
| N° PCS TRUCK | 1.560 |
| N° PCS 20 ' CTR | 540 |
| N° PCS 40 ' CTR | 1.260 |
| MOQ | 1.560 pcs |



Basket or storage box which can hold 13 kg and has a content of 3.43 Gal / 13 L.

| | |
|---------------------------------|---|
| REFERENCE | G00015 |
| PRODUCT | Cherry basket |
| DIMENSIONS (L x W x H) | 40 x 30 x 14,7 (h) cm - 15.8 x 14.7 x 5.8 (h) " |
| WEIGHT | 0,35 kg - 0.77 lbs |
| PACKAGING | 627 pcs shrunked |
| N° PCS PALLET | 627 |
| N° PCS TRUCK | 16.302 |
| N° PCS 20 ' CTR | 5.643 |
| N° PCS 40 ' CTR | 13.167 |
| MOQ | 16.302 pcs |



Storage box with attached lid in two parts and which has a content of 45 L. Optional you could have a document window on the lid. This box nests and it can be combined with a dolly for standard euro boxes.

| | |
|---------------------------------|--|
| REFERENCE | G00017 |
| PRODUCT | Small magnum attached lid container - 45 L |
| DIMENSIONS (L x W x H) | 60 x 40 x 34 (h) cm - 23.4 x 15.8 x 13.4 (h) " |
| WEIGHT | 2,67 kg - 5.88 lbs |
| PACKAGING | 26 pcs shrunked |
| N° PCS PALLET | 104 |
| N° PCS TRUCK | 2.704 |
| N° PCS 20 ' CTR | 936 |
| N° PCS 40 ' CTR | 2.288 |
| MOQ | 2.704 pcs |



STORAGE SOLUTIONS

3-Level drawer cabinet, with 1 drawer on each level.
Easy to move by the handle on the top of the casing.

| | |
|---------------------------------|---|
| REFERENCE | G01003 |
| PRODUCT | 3 Level drawer cabinet |
| DIMENSIONS (L x W x H) | 38 x 15 x 24 (h) cm - 15 x 20.1 x 9.5 (h) " |
| WEIGHT | 1,50 kg - 3.31 lbs |
| PACKAGING | 10 pcs per MC |
| N° PCS PALLET | 120 |
| N° PCS TRUCK | 3.960 |
| N° PCS 20 ' CTR | 2.123 |
| N° PCS 40 ' CTR | 4.247 |
| MOQ | 3.960 pcs |



4-Level drawer cabinet, with 1 drawer on each level.
Easy to move by the handle on the top of the casing.

| | |
|---------------------------------|--|
| REFERENCE | G01004 |
| PRODUCT | 4 Level drawer cabinet |
| DIMENSIONS (L x W x H) | 38 x 15 x 30 (h) cm - 15 x 20.1 x 11.2 (h) " |
| WEIGHT | 2,00 kg - 4.41 lbs |
| PACKAGING | 8 pcs per MC |
| N° PCS PALLET | 96 |
| N° PCS TRUCK | 2.976 |
| N° PCS 20 ' CTR | 1.710 |
| N° PCS 40 ' CTR | 3.421 |
| MOQ | 2.976 pcs |



5-Level drawer cabinet, with 1 drawer on each level.
Easy to move by the handle on the top of the casing.

| | |
|---------------------------------|--|
| REFERENCE | G01005 |
| PRODUCT | 5 Level drawer cabinet |
| DIMENSIONS (L x W x H) | 38 x 15 x 37 (h) cm - 15 x 20.1 x 14.6 (h) " |
| WEIGHT | 2,50 kg - 5.51 lbs |
| PACKAGING | 5 pcs per MC |
| N° PCS PALLET | 75 |
| N° PCS TRUCK | 2.475 |
| N° PCS 20 ' CTR | 1.435 |
| N° PCS 40 ' CTR | 2.870 |
| MOQ | 2.475 pcs |



STORAGE SOLUTIONS

Storage box with attached lid in two parts and which has a content of 60 L. Optional you could have a document window on the lid. This box nests and it can be combined with a dolly for standard euro boxes.

| | |
|---------------------------------|---|
| REFERENCE | G00018 |
| PRODUCT | Large magnum attached lid container - 60 L |
| DIMENSIONS (L x W x H) | 60 x 40 x 25 (h) cm - 23.6 x 15.8 x 9.8 (h) " |
| WEIGHT | 3,07 kg - 6.78 lbs |
| PACKAGING | 25 pcs shrunked |
| N° PCS PALLET | 100 |
| N° PCS TRUCK | 2.600 |
| N° PCS 20 ' CTR | 900 |
| N° PCS 40 ' CTR | 2.200 |
| MOQ | 2.600 pcs |



Organizer for storage of small parts. The compartments are removable / adjustable according to the equipment to be stored. Easy to consult because of the transparent lid, with handy grip to take along.

| | |
|---------------------------------|--|
| REFERENCE | G01006 |
| PRODUCT | Organizer |
| DIMENSIONS (L x W x H) | 37 x 27,5 x 6,5 (h) cm - 14.6 x 10.8 x 2.6 (h) " |
| WEIGHT | 0,75 kg - 1.65 lbs |
| PACKAGING | 12 pcs per MC |
| N° PCS PALLET | 240 |
| N° PCS TRUCK | 7.920 |
| N° PCS 20 ' CTR | 4.482 |
| N° PCS 40 ' CTR | 8.964 |
| MOQ | 7.920 pcs |



Double-levelled organizer for storage of small parts. The compartments are removable / adjustable according to the equipment to be stored. Easy to consult because of the transparent lid, with handy grip to take along.

| | |
|---------------------------------|---|
| REFERENCE | G01007 |
| PRODUCT | Double organizer |
| DIMENSIONS (L x W x H) | 37 x 29 x 13 (h) cm - 14.6 x 11.4 x 5.1 (h) " |
| WEIGHT | 1,50 kg - 3.31 lbs |
| PACKAGING | 6 pcs per MC |
| N° PCS PALLET | 120 |
| N° PCS TRUCK | 3.960 |
| N° PCS 20 ' CTR | 2.114 |
| N° PCS 40 ' CTR | 4.227 |
| MOQ | 3.960 pcs |



STORAGE SOLUTIONS

Medium sized organizer for storage of small parts. The compartments are removable / adjustable according to the equipment to be stored. Easy to consult because of the transparent lid, with handy grip to take along.

| | |
|---------------------------------|--|
| REFERENCE | G01008 |
| PRODUCT | Medium sized organizer |
| DIMENSIONS (L x W x H) | 24 x 18 x 5,5 (h) cm - 9.5 x 7.1 x 2.2 (h) " |
| WEIGHT | 0,29 kg - 0.64 lbs |
| PACKAGING | 24 pcs per MC |
| N° PCS PALLET | 864 |
| N° PCS TRUCK | 22.464 |
| N° PCS 20 ' CTR | 14.880 |
| N° PCS 40 ' CTR | 29.760 |
| MOQ | 22.464 pcs |



Small organizer for storage of small parts. The compartments are removable / adjustable according to the equipment to be stored.

| | |
|---------------------------------|---|
| REFERENCE | G01009 |
| PRODUCT | Baby organizer |
| DIMENSIONS (L x W x H) | 15 x 8,5 x 3,5 (h) cm - 5.9 x 3.4 x 1.4 (h) " |
| WEIGHT | 0,07 kg - 0.15 lbs |
| PACKAGING | 48 pcs per MC |
| N° PCS PALLET | 4.224 |
| N° PCS TRUCK | 97.152 |
| N° PCS 20 ' CTR | 78.316 |
| N° PCS 40 ' CTR | 156.632 |
| MOQ | 97.152 pcs |



Organizer for storage of small parts. The compartments are removable / adjustable according to the equipment to be stored. Easy to consult because of the transparent lid, with handy grip to take along.

| | |
|---------------------------------|--|
| REFERENCE | G01010 |
| PRODUCT | Adjustable multi organizer |
| DIMENSIONS (L x W x H) | 28 x 18 x 4,7 (h) cm - 9.1 x 7.1 x 1.9 (h) " |
| WEIGHT | 0,32 kg - 0.71 lbs |
| PACKAGING | 24 pcs per MC |
| N° PCS PALLET | 600 |
| N° PCS TRUCK | 19.800 |
| N° PCS 20 ' CTR | 12.610 |
| N° PCS 40 ' CTR | 25.220 |
| MOQ | 19.800 pcs |



STORAGE SOLUTIONS

Double-sided organizer for storage of small parts. The compartments are removable / adjustable according to the equipment to be stored. Easy to consult because of the transparent lid, with handy grip to take along.

| | |
|---------------------------------|--|
| REFERENCE | G01011 |
| PRODUCT | Double king size organizer |
| DIMENSIONS (L x W x H) | 34,5 x 24,5 x 10 (h) cm - 13.6 x 9.7 x 3.9 (h) " |
| WEIGHT | 1,10 kg - 2.43 lbs |
| PACKAGING | 6 pcs per MC |
| N° PCS PALLET | 240 |
| N° PCS TRUCK | 5.760 |
| N° PCS 20 ' CTR | 4.326 |
| N° PCS 40 ' CTR | 8.651 |
| MOQ | 5.760 pcs |



Organizer in fancy black for storage of all kinds of little bits and pieces. This organizer has a transparent lid, which makes it easy to consult the contents. It also has a lock to assure that the lid stays firmly closed.

| | |
|---------------------------------|---|
| REFERENCE | G01020 |
| PRODUCT | Black organizer |
| DIMENSIONS (L x W x H) | 30 x 16 x 5 (h) cm - 11.8 x 6.3 x 2 (h) " |
| WEIGHT | 0,39 kg - 0.86 lbs |
| PACKAGING | 6 pcs per MC |
| N° PCS PALLET | 540 |
| N° PCS TRUCK | 14.040 |
| N° PCS 20 ' CTR | 4.860 |
| N° PCS 40 ' CTR | 11.880 |
| MOQ | 14.040 pcs |



Completely transparent organizer for storage of all kinds of little bits and pieces. As it is completely transparent, it is very easy to check the content.

| | |
|---------------------------------|---|
| REFERENCE | G01021 |
| PRODUCT | Naturel organizer |
| DIMENSIONS (L x W x H) | 25,3 x 15,3 x 3,2 (h) cm - 10 x 6 x 1.3 (h) " |
| WEIGHT | 0,23 kg - 0.51 lbs |
| PACKAGING | 42 pcs per MC |
| N° PCS PALLET | 1.050 |
| N° PCS TRUCK | 27.300 |
| N° PCS 20 ' CTR | 9.450 |
| N° PCS 40 ' CTR | 23.100 |
| MOQ | 27.300 pcs |



STORAGE SOLUTIONS

Foldable closed box made of very solid quality and which has a load capacity of 30 kg.
Logo-inlabeling is optional.

| | |
|---------------------------------|---|
| REFERENCE | G01033 |
| PRODUCT | Foldable box closed - 32 L |
| DIMENSIONS (L x W x H) | 49 x 36 x 24 (h) cm - 19.3 x 14.2 x 9.5 (h) " |
| WEIGHT | 1,09 kg - 2.40 lbs |
| PACKAGING | Bulk on pallet |
| N° PCS PALLET | 110 |
| N° PCS TRUCK | 7.260 |
| N° PCS 20 ' CTR | 2.420 |
| N° PCS 40 ' CTR | 5.500 |
| MOQ | 7.260 pcs |



Foldable open box made of very solid quality and which has a load capacity of 30 kg.
Tamponprinting is optional.

| | |
|---------------------------------|---|
| REFERENCE | G01032 |
| PRODUCT | Foldable box open - 32 L |
| DIMENSIONS (L x W x H) | 49 x 36 x 24 (h) cm - 19.3 x 14.2 x 9.5 (h) " |
| WEIGHT | 1,05 kg - 2.31 lbs |
| PACKAGING | Bulk on pallet |
| N° PCS PALLET | 100 |
| N° PCS TRUCK | 6.600 |
| N° PCS 20 ' CTR | 2.200 |
| N° PCS 40 ' CTR | 5.000 |
| MOQ | 6.600 pcs |



Foldable megabox made of very solid quality and which has a load capacity of 40 kg.
Tamponprinting is optional.

| | |
|---------------------------------|--|
| REFERENCE | G01030 |
| PRODUCT | Foldable megabox - 46 L |
| DIMENSIONS (L x W x H) | 54 x 38 x 27 (h) cm - 21.3 x 15 x 10.6 (h) " |
| WEIGHT | 1,65 kg - 3.64 lbs |
| PACKAGING | Bulk on pallet |
| N° PCS PALLET | 72 |
| N° PCS TRUCK | 4.752 |
| N° PCS 20 ' CTR | 1.584 |
| N° PCS 40 ' CTR | 3.600 |
| MOQ | 4.752 pcs |



STORAGE SOLUTIONS

Foldable piccolo with a fixable ergonomic handle made of very solid quality and which has a load capacity of 20 kg. Tamponprinting is optional.

| | |
|---------------------------------|---|
| REFERENCE | G01031 |
| PRODUCT | Foldable piccolo with handle - 24 L |
| DIMENSIONS (L x W x H) | 40 x 30 x 21 (h) cm - 15.8 x 11.8 x 8.3 (h) " |
| WEIGHT | 1,16 kg - 2.56 lbs |
| PACKAGING | Bulk on pallet |
| N° PCS PALLET | 102 |
| N° PCS TRUCK | 6.732 |
| N° PCS 20 ' CTR | 2.244 |
| N° PCS 40 ' CTR | 5.100 |
| MOQ | 6.732 pcs |



Foldable shopper with fixable ergonomic handle made of very solid quality and which has a load capacity of 25 kg. Tamponprinting is optional.

| | |
|---------------------------------|---|
| REFERENCE | G01034 |
| PRODUCT | Foldable shopper with handle - 28 L |
| DIMENSIONS (L x W x H) | 46 x 31 x 24 (h) cm - 18.1 x 12.2 x 9.5 (h) " |
| WEIGHT | 1,22 kg - 2.69 lbs |
| PACKAGING | Bulk on pallet |
| N° PCS PALLET | 84 |
| N° PCS TRUCK | 5.544 |
| N° PCS 20 ' CTR | 1.848 |
| N° PCS 40 ' CTR | 4.200 |
| MOQ | 5.544 pcs |



STORAGE SOLUTIONS

New generation flexible tub small size with a content of 14 L.

Fit for endless use as shopping bag, laundry basket, garden bucket,... in colour blue, pink, yellow and green.

| | |
|-----------------------------|--|
| REFERENCE / PRODUCT | G01516 - NG Flexible tub 14 L - small blue |
| REFERENCE / PRODUCT | G01517 - NG Flexible tub 14 L - small green |
| REFERENCE / PRODUCT | G01518 - NG Flexible tub 14 L - small pink |
| REFERENCE / PRODUCT | G01519 - NG Flexible tub 14 L - small yellow |
| DIMENSIONS (Ø x H) | Ø 40 x 31 (h) cm - Ø 15.8 x 12.2 (h) " |
| WEIGHT | 0,32 kg - 0.71 lbs |
| PACKAGING | 24 pcs per MC |
| N° PCS PALLET | 432 |
| N° PCS TRUCK | 14.256 |
| N° PCS 20 ' CTR | 4.752 |
| N° PCS 40 ' CTR | 10.800 |
| MOQ | 14.256 pcs |



New generation flexible tub medium size with a content of 27 L.

Fit for endless use as shopping bag, laundry basket, garden bucket,... colour blue, pink, yellow and green.

| | |
|-----------------------------|---|
| REFERENCE / PRODUCT | G01520 - NG Flexible tub 27 L - medium blue |
| REFERENCE / PRODUCT | G01521 - NG Flexible tub 27 L - medium green |
| REFERENCE / PRODUCT | G01522 - NG Flexible tub 27 L - medium pink |
| REFERENCE / PRODUCT | G01523 - NG Flexible tub 27 L - medium yellow |
| DIMENSIONS (Ø x H) | Ø 46,5 x 36 (h) cm - Ø 18.3 x 14.2 (h) " |
| WEIGHT | 0,46 kg - 1.01 lbs |
| PACKAGING | 24 pcs per MC |
| N° PCS PALLET | 432 |
| N° PCS TRUCK | 14.256 |
| N° PCS 20 ' CTR | 4.752 |
| N° PCS 40 ' CTR | 10.800 |
| MOQ | 14.256 pcs |



STORAGE SOLUTIONS

New generation flexible tub large size with a content of 40 L.
Fit for endless use as shopping bag, laundry basket, garden bucket,... in colour blue, pink, yellow and green.

| | |
|-----------------------------|--|
| REFERENCE / PRODUCT | G01524 - NG Flexible tub 40 L - large blue |
| REFERENCE / PRODUCT | G01525 - NG Flexible tub 40 L - large green |
| REFERENCE / PRODUCT | G01526 - NG Flexible tub 40 L - large pink |
| REFERENCE / PRODUCT | G01527 - NG Flexible tub 40 L - large yellow |
| DIMENSIONS (Ø x H) | Ø 54 x 40 (h) cm - Ø 21.3 x 15.8 (h) " |
| WEIGHT | 0,64 kg - 1.41 lbs |
| PACKAGING | 24 pcs per MC |
| N° PCS PALLET | 240 |
| N° PCS TRUCK | 6.240 |
| N° PCS 20 ' CTR | 2.160 |
| N° PCS 40 ' CTR | 5.280 |
| MOQ | 6.240 pcs |



New generation flexible tub mega size with a content of 65 L.
Fit for endless use as shopping bag, laundry basket, garden bucket,... in colour blue, pink, yellow and green.

| | |
|-----------------------------|---|
| REFERENCE / PRODUCT | G01528 - NG Flexible tub 65 L - mega blue |
| REFERENCE / PRODUCT | G01529 - NG Flexible tub 65 L - mega green |
| REFERENCE / PRODUCT | G01530 - NG Flexible tub 65 L - mega pink |
| REFERENCE / PRODUCT | G01531 - NG Flexible tub 65 L - mega yellow |
| DIMENSIONS (Ø x H) | Ø 63,8 x 53,1 (h) cm - Ø 25.1 x 20.9 (h) " |
| WEIGHT | 1,18 kg - 2.60 lbs |
| PACKAGING | 12 pcs per bag |
| N° PCS PALLET | 288 |
| N° PCS TRUCK | 2.880 |
| N° PCS 20 ' CTR | 1.152 |
| N° PCS 40 ' CTR | 2.592 |
| MOQ | 2.880 pcs |





Home & Garden
www.paradisohome.com

For more general information regarding our company or the complete Paradiso product range, please take a look on our website: www.paradisohome.com or contact us by e-mail on info@paradisohome.com.

For direct requests regarding product information or price offers you can contact Ms. Evy Spruyt at espruyt@paradisohome.com.